

vtech®

Parent's Guide

**Toot-Toot
Friends**

**2-in-1
Dinosaur Park**



91-003871-001 (UK)

VTech understands that a child's needs and abilities change as they grow and with that in mind we develop our toys to teach and entertain at just the right level...

vtech Baby

Toys that will stimulate their interest in different textures, sounds and colours

I am...

...responding to colours, sounds and textures

...understanding cause and effect

...learning to touch, reach, grasp, sit-up, crawl and toddle

Birth-36 months



Pre-School

Interactive toys to develop their imagination and encourage language development

I want...

...to get ready for school by starting to learn the alphabet and counting

...my learning to be as fun, easy and exciting as can be

...to show my creativity with drawing and music so my whole brain develops

3-6 years



Electronic Learning Computers

Cool, aspirational and inspiring computers for curriculum related learning

I need...

...challenging activities that can keep pace with my growing mind

...intelligent technology that adapts to my level of learning

...National Curriculum based content to support what I'm learning at school

4-10 years

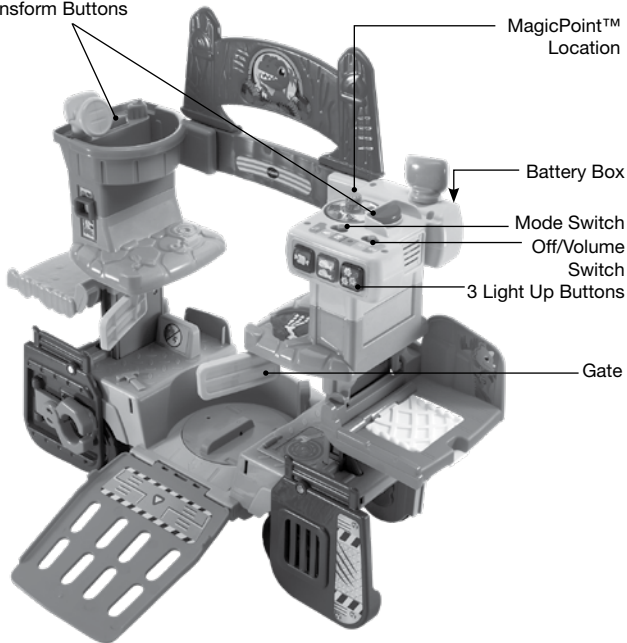


To learn more about this and other VTech® products, visit www.vtech.co.uk

INTRODUCTION

Thank you for purchasing the **VTech® Toot-Toot Friends™ 2-In-1 Dinosaur Park!** Place the Park Ranger, Pterosaur and Triceratops onto the **MagicPoint™** location to hear fun sounds and music! Press the Light Up Buttons to feed the dinosaurs, or push the T-Rex out of the gate to hear fun sounds! Easily transform the play set between a dinosaur transportation truck and a dinosaur park for even more role play fun!

Transform Buttons



INCLUDED IN THIS PACKAGE

NOTE: This toy is not intended for teething.

WARNING: Do not discharge any object other than the net provided with this toy.

WARNING: Do not aim at eyes or face.

- One character - Park Ranger



- One character - Pterosaur



- One character - Triceratops



- One bowl of food



- One net



- One label sheet



- One T-Rex head
- One T-Rex body

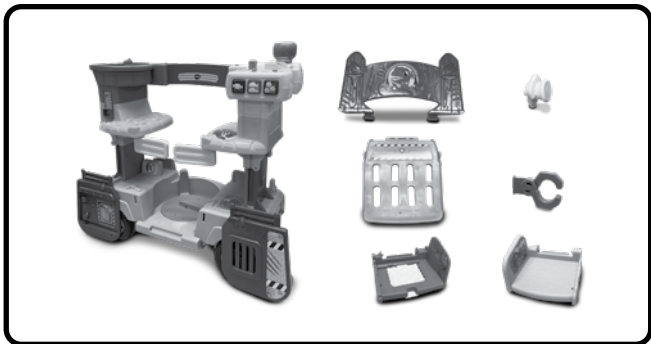


- One small truck
- One door of small truck
- One net launcher



- One play set base
- One park sign
- One telescope
- One slider

- One claw
- One trap platform
- One normal platform



WARNING:

All packing materials such as tape, plastic sheets, packaging locks, removable tags, cable ties, cords and packaging screws are not part of this toy and should be discarded for your child's safety.

NOTE:

Please keep this Parent's Guide as it contains important information.

ASSEMBLY INSTRUCTIONS

Adult assembly required. For your child's safety, do not let your child play with this product until it is fully assembled.

- Insert the net launcher into the top of the small truck. You will hear a click when it is secure.
- Attach the door to the small truck. Click in the top part first, then the bottom part.



- Attach the upper part of the T-Rex head onto its body. Click in the left side first, then the right side.



- Insert the telescope onto the right side of the lookout. You will hear a click when it is secure.



- Attach the trap platform onto the right side of the play set. Click in one side first, then click in the other side.



- Attach the other platform onto the left side of the play set. Click in one side first, then click in the other side.



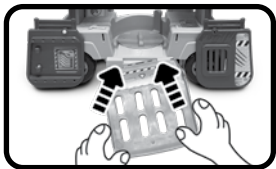
- Attach the park sign onto the top of the play set. Click in one side first, then click in the other side.



- Attach the claw onto the play set. Click in the top part first, then the bottom part.

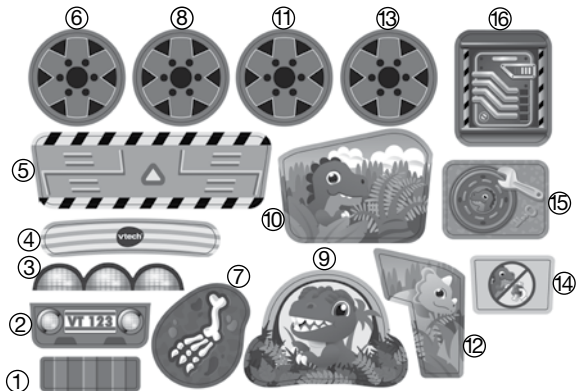


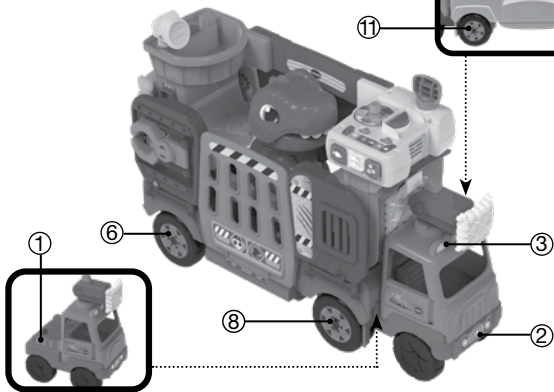
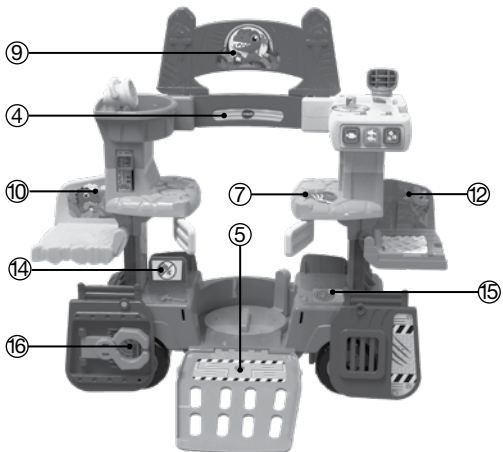
- Attach the T-Rex slider onto the front of the play set. Click in one side first, then click in the other side.



LABEL APPLICATION

Please stick the labels to the play set securely as indicated below.

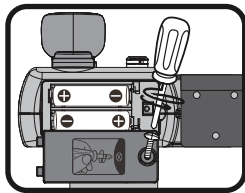
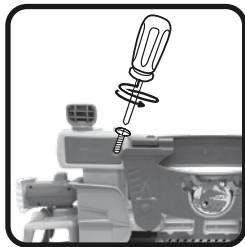




GETTING STARTED

Battery Removal and Installation

1. Make sure the toy is turned OFF.
2. Locate the battery cover on the back of the play set. Use a screwdriver to loosen the screw. Then, remove the cover.
3. If used or spent batteries are present, remove these batteries from the toy by pulling up on one end of each battery.
4. Install 2 new AA size (LR6/AM-3) batteries following the diagram inside the battery box. (The use of new alkaline batteries is recommended for maximum performance).
5. Replace the battery cover and tighten the screw to secure.



WARNING:

Adult assembly required for battery installation.

Keep batteries out of reach of children.

IMPORTANT: BATTERY INFORMATION

- Insert batteries with the correct polarity (+ and -).
- Do not mix old and new batteries.
- Do not mix alkaline, standard (carbon-zinc) or rechargeable batteries.
- Only batteries of the same or equivalent type as recommended are to be used.
- Do not short-circuit the supply terminals.

- Remove batteries during long periods of non-use.
- Remove exhausted batteries from the toy.
- Dispose of batteries safely. Do not dispose of batteries in fire.

RECHARGEABLE BATTERIES:

- Remove rechargeable batteries from the toy before charging.
- Rechargeable batteries are only to be charged under adult supervision.
- Do not charge non-rechargeable batteries.

Disposal of batteries and product



The crossed-out wheellie bin symbols on products and batteries, or on their respective packaging, indicates they must not be disposed of in domestic waste as they contain substances that can be damaging to the environment and human health.



The chemical symbols Hg, Cd or Pb, where marked, indicate that the battery contains more than the specified value of mercury (Hg), cadmium (Cd) or lead (Pb) set out in the Batteries and Accumulators Regulation.

The solid bar indicates that the product was placed on the market after 13th August, 2005.

Help protect the environment by disposing of your product or batteries responsibly.

VTech® cares for the planet.

Care for the environment and give your toy a second life by disposing of it at a small electricals collection point so all its materials can be recycled.

In the UK:

Visit www.recyclenow.com to see a list of collection points near you.

In Australia & New Zealand:

Check with your local council for kerbside collections.

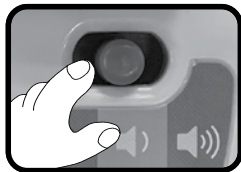
ACTIVATE NORMAL PLAY MODE

When playing with the **2-in-1 Dinosaur Park** for the first time, put one of the characters onto the **MagicPoint™** location to exit Try Me mode and begin normal play.

PRODUCT FEATURES

1. Off/Volume Switch

To turn the unit ON, slide the switch to either the **Low Volume** (🔊) or **High Volume** (🔊) position. To turn the unit OFF, slide the switch to the **Off** (●) position.



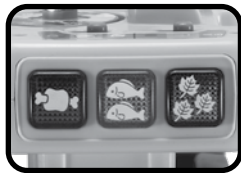
2. Mode Switch

Slide the **Mode Switch** to the left to enter **Music & Sounds Mode** (🎵). Slide the **Mode Switch** to the middle to enter **Learning Mode** (📖). Slide the **Mode Switch** to the right to enter **Mission Mode** (📋).



3. Light Up Buttons

Press the three **Light Up Buttons** to hear melodies and fun sounds, to learn about colours, numbers and objects, and to feed the dinosaurs in **Mission Mode**.



4. **Gate**

Release the T-Rex to send it through the gate and to hear sounds and responses.



5. **MagicPoint™ Location**

There is one **MagicPoint™** located on the control tower of the park. Place a character onto the **MagicPoint™** location to hear fun responses. The **MagicPoint™** location can also interact with other **VTech® Toot-Toot Friends™** characters (each sold separately).



6. **Automatic Shut Off**

To preserve battery life, this play set will automatically power down after several minutes of no input. The play set can be turned on again by sliding the **Off/Volume Switch** to the **Low Volume** position or the **High Volume** position, or by sliding the **Mode Switch** to the **Music & Sounds Mode**, **Learning Mode** or **Mission Mode** position.

NOTE: If the play set powers down while playing, we suggest installing a brand new set of batteries.

ACTIVITIES

1. Mode 1: Music & Sounds

Slide the **Mode Switch** to the left position to enter this mode. Press the **Light Up Buttons** to hear melodies. Place the Park Ranger onto the **MagicPoint™** location to hear him talk and sing. Place the Pterosaur or Triceratops onto the **MagicPoint™** location to hear melodies with their roars. Release the T-Rex to send it through the gate and to hear it roar!



2. Mode 2: Learning

Slide the **Mode Switch** to the middle position to enter this mode. Press the **Light Up Buttons** to learn about colours, numbers, objects and more! Place the characters onto the **MagicPoint™** location to hear the characters talk and introduce themselves, or release the T-Rex to send it through the gate and to hear fun facts about T-Rex.



3. Mode 3: Mission Mode

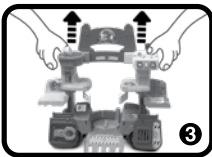
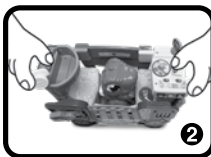
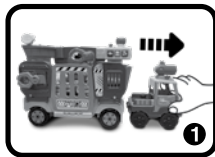
Slide the **Mode Switch** to the right position to enter this mode. Follow the instructions to press the **Light Up Buttons** and place the characters onto the **MagicPoint™** location to help operate the Truck and the Dino Park.



MOTOR SKILL DEVELOPMENT

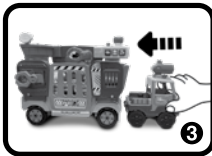
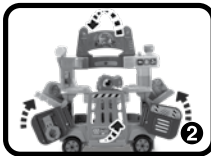
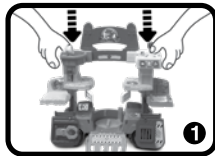
1. Transformation from Truck to Park

Pull the small truck out from the front. Then, press and hold the transform buttons together and pull upward.



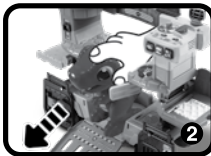
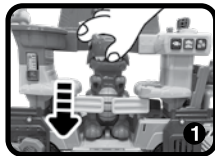
2. Transformation from Park to Truck

Press and hold the transform buttons together and push downward. Flip the doors and the slider as indicated. Next, flip down the park sign as indicated. Then, push the small truck into the front of the park set.



3. Launching the T-Rex from the Park

Put T-Rex on the seat and push to release. A response will be heard when the yellow gates open.



SONG LYRICS

Song 1

Toot Toot! Welcome to Dino Park!
Let's learn and play and ROAR with our dino pals!

Song 2

Dinosaur adventures!
There's so much here for us to do! Yahoo!
Dinosaur adventures!
Here in the park we play all day! Hip-hip hooray!

Song 3

What will our dinosaurs do today?
Will they roar? Will they stomp? Will they run all day?
All these dinosaurs, some big, some small!
Here in the park, they're having a ball!

Song 4

Beep beep beep!
The truck is driving along!
Beep beep beep!
And I am singing a song!
T-Rex and pals are running with us too!
They're roaring and they're stomping in our big dino zoo!

Song 5

We're in our super cool, super fast, dino truck!
We're gonna drive, drive, drive all day long!
We're driving right now with a big happy smile!
With our dino pals here, let's play for a while!

CARE & MAINTENANCE

1. Keep the product and its metal parts clean by wiping them with a slightly damp cloth.
2. Keep the product out of direct sunlight and away from any direct heat sources.
3. Remove the batteries when the product is not in use for an extended period of time.
4. Do not drop the product on a hard surface and do not expose the product to excess moisture or water.

TROUBLESHOOTING

If for some reason the toy stops working or malfunctions whilst a character is on the **MagicPoint™** location, please remove the character and place them back onto the **MagicPoint™**.

If the toy still does not function, or if for some reason the toy stops working or malfunctions on its own, please follow these steps:

1. Please turn the toy **OFF**.
2. Interrupt the power supply by removing the batteries.
3. Let the toy stand for a few minutes, then replace the batteries.
4. Turn the toy **ON**. The toy should now be ready to play with again.
5. If the toy still does not work, install a new set of batteries.

If the problem persists, please contact our Consumer Services Department and a service representative will be happy to help you.

CONSUMER SERVICES

Creating and developing **VTech®** products is accompanied by a responsibility that we at **VTech®** take very seriously. We make every effort to ensure the accuracy of the information, which forms the value of our products. However, errors sometimes can occur. It is important for you to know that we stand behind our products and encourage you to call our Consumer Services Department with

any problems and/or suggestions that you might have. A service representative will be happy to help you.

UK Customers:

Phone: 0330 678 0149 (from UK) or +44 330 678 0149 (outside UK)
Website: www.vtech.co.uk/support

Australian Customers:

Phone: 1800 862 155
Website: support.vtech.com.au

NZ Customers:

Phone: 0800 400 785
Website: support.vtech.com.au

PRODUCT WARRANTY/ CONSUMER GUARANTEES

UK Customers:

Read our complete warranty policy online at vtech.co.uk/warranty.

Australian Customers:

VTECH ELECTRONICS (AUSTRALIA) PTY LIMITED –
CONSUMER GUARANTEES

Under the Australian Consumer Law, a number of consumer guarantees apply to goods and services supplied by VTech Electronics (Australia) Pty Limited. Please refer to vtech.com.au/consumerguarantees for further information.

Contact VTech

Tel: 0330 678 0149 (from UK)
+44 330 678 0149 (outside UK)
1800 862 155 (Aus) / 0800 400 785 (NZ)
www.vtech.co.uk
www.vtech.com.au

**Visit our website for more
information about our products,
downloads, resources and more.**

www.vtech.co.uk
www.vtech.com.au

